

Aftermarket Operations  
7585 Empire Drive  
Florence, KY 41042  
USA

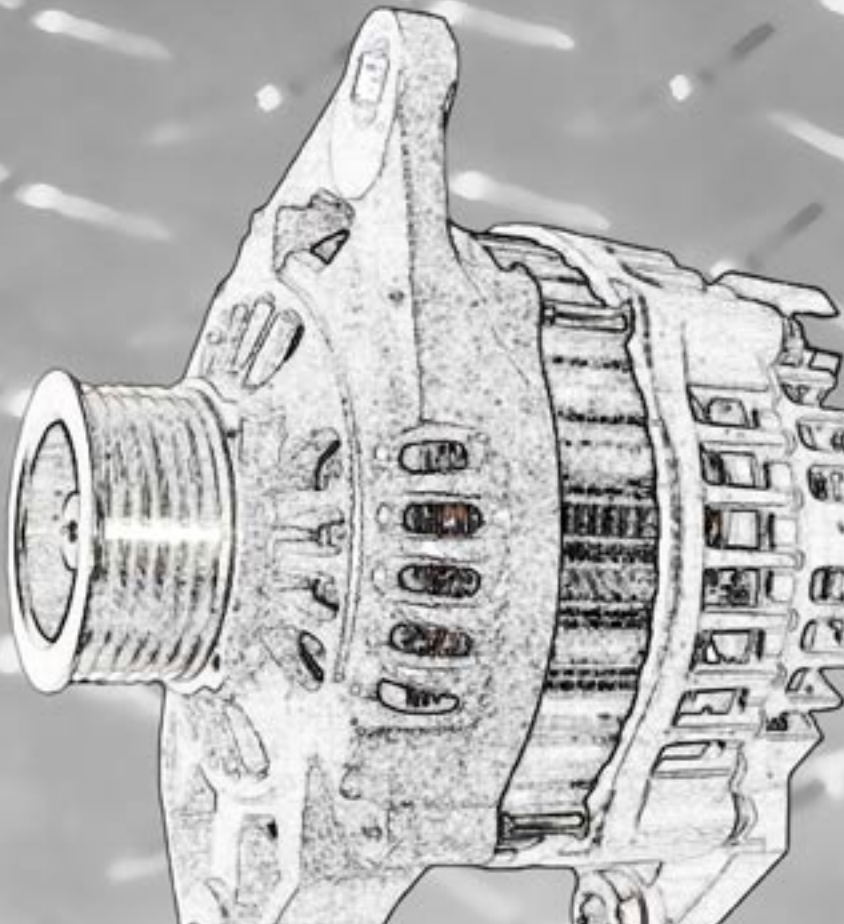
Tel: 1-800-354-0560  
Fax: 1-800-997-6202

[www.prestolite.com](http://www.prestolite.com)



***Leece·Neville***

HEAVY DUTY SYSTEMS



Alternator  
Buyer's Guide

PP-1184  
Rev 10/03

**PAGE INTENTIONALLY LEFT BLANK**

# Application & Cross Reference Index

| <b>SECTION</b> | <b>TITLE</b>   |
|----------------|--|
| <b>1</b>       | <b>Alternator Application &amp; Cross Reference</b>    |
| <b>2</b>       | <b>Alternator Technical Reference Information</b>      |
| <b>3</b>       | <b>Alternator Cross Reference</b>                      |
| <b>4</b>       | <b>Starter Motor Application &amp; Cross Reference</b> |
| <b>5</b>       | <b>Starter Motor Technical Reference Information</b>   |
| <b>6</b>       | <b>Starter Motor Cross Reference Guide</b>             |

## **DISCLAIMER**

Whilst every care has been taken in compiling the information in this document, Leece-Neville Electric Inc. cannot accept legal liability for any inaccuracies, omissions, or consequential damage resulting there from. Prestolite Electric has an extensive design and development, which may alter product specifications.

Leece-Neville reserve the right to alter specifications without notice and whenever necessary to ensure optimum performance from its product range.

**PAGE INTENTIONALLY LEFT BLANK**

---

# Alternator Application & Cross Reference Section

---



**PAGE INTENTIONALLY LEFT BLANK**

## **TYPICAL PRODUCT REPLACEMENT GUIDE**

**AS123**      Bosch K1, Mando, Delco 10SI

**AS128e**     Bosch K1, Delco 12SI

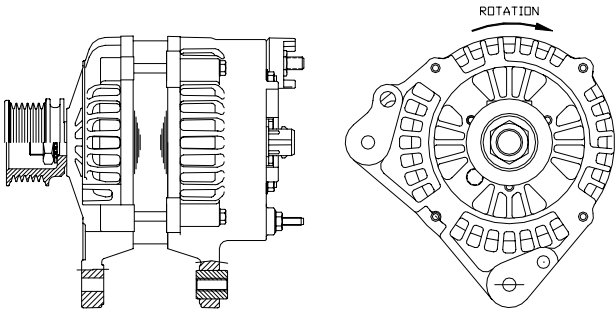
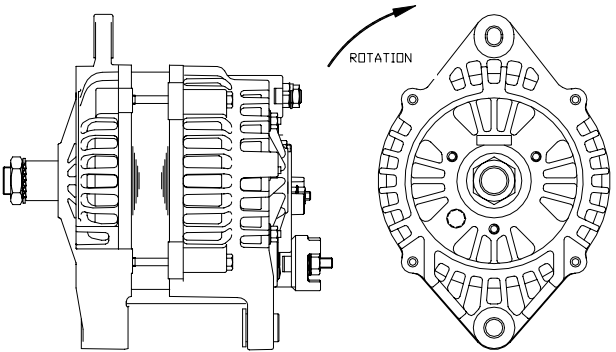
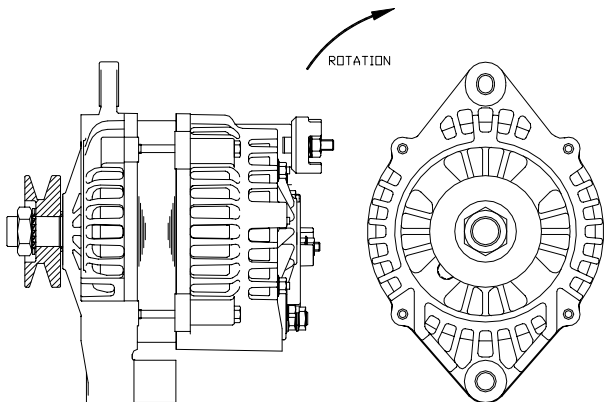
**AVi128**     Mitsubishi, Hitachi

**These alternators are good for Industrial, Agriculture, Marine, Special Purpose & Automotive applications**

**PAGE INTENTIONALLY LEFT BLANK**

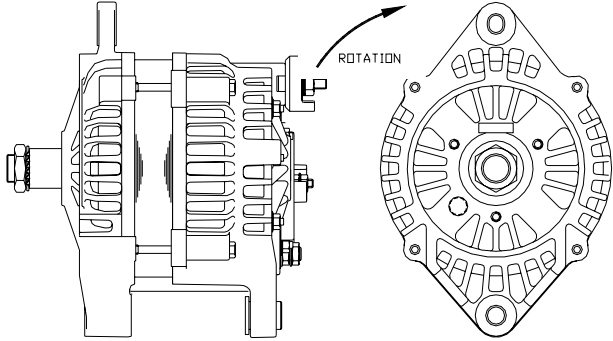
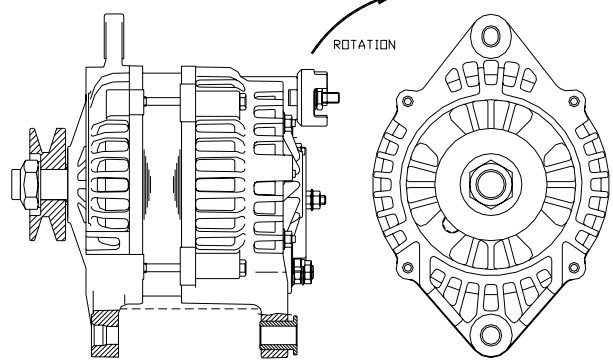
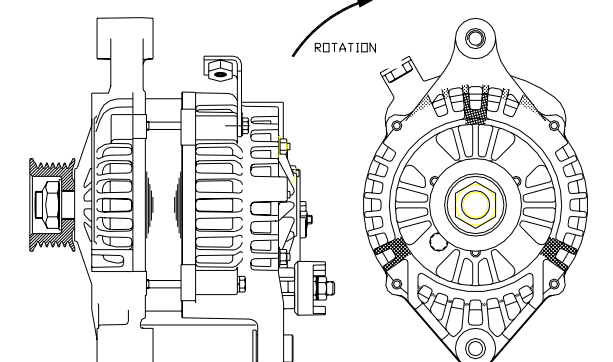


## Alternator Application and Cross reference Guide

| Front & Side View   | Type & Part. N°  | Cross Ref.  | Application / Vehicle / Engine  |
|---|--|---|---|
|    | <p><b>AVi128</b><br/><b>35214370</b><br/><b>12V 90A</b><br/><br/>6 Groove<br/>Pulley</p>       | <p>Lester<br/>13381<br/><br/>Bosch<br/>0 120 485 004<br/>AL0181X<br/>AL0181V<br/><br/>Volkswagen<br/>021 903 023K</p> | <p>Volkswagen<br/>Cabrio: Eurovan; Golf; Jetta; Passat<br/><br/>L4 1.8L &amp; 2.0L<br/>L4 1.9L Diesel<br/>V6 2.8L</p> |
|   | <p><b>AVi128</b><br/><b>35214490</b><br/><b>12V 110A</b></p>                                   |   | <p>UPS<br/>GM 4.3L Engine</p>   |
|  | <p><b>AVi128</b><br/><b>35214620</b><br/><b>12V 110A</b><br/><br/>Externally<br/>Regulated</p> |   | <p>Mercuriser<br/><br/>SAE J1171</p>  |

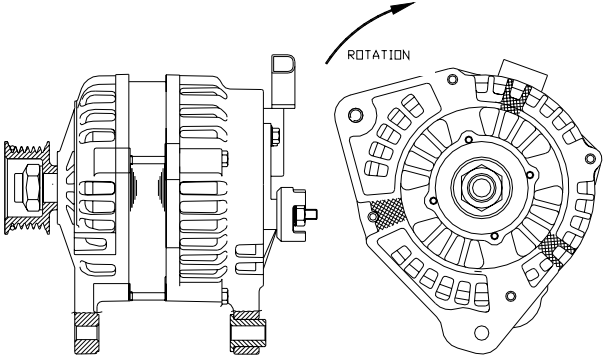
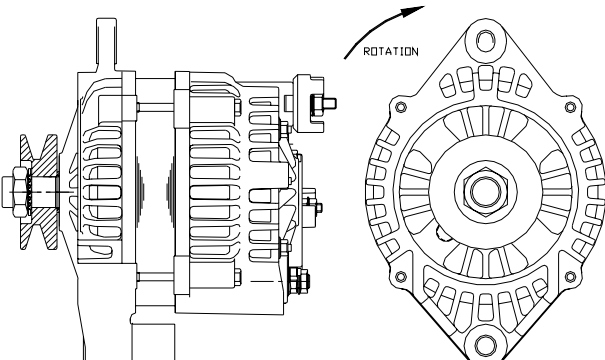
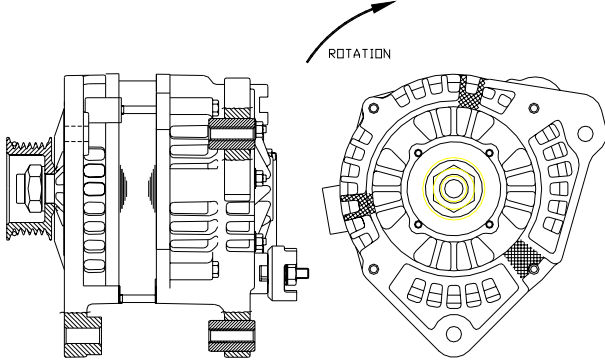
ALL LEECE-NEVILLE PART NUMBERS SHOWN ARE OE; FOR AFTERMARKET ORDERING ADD A "S" SUFFIX TO THE PART NUMBER (IE 66021601 IS OE & 66021601S IS AFTERMARKET)

## Alternator Application and Cross reference Guide

| Front & Side View   | Type & Part. N°  | Cross Ref. | Application / Vehicle / Engine          |
|---|--|------------|---|
|    | <p><b>AVi128</b><br/><b>35214650</b><br/><b>12V 110A</b></p>                         |            | <p>TUG</p>                              |
|   | <p><b>AVi128</b><br/><b>35214655</b><br/><b>12V 80A</b><br/>Externally Regulated</p> |            | <p>Yanmar Marine<br/><br/>SAE J1171</p> |
|  | <p><b>AVi128</b><br/><b>35214930</b><br/><b>12V 100A</b></p>                         |            | <p>GM<br/>Opel Corsa</p>                |

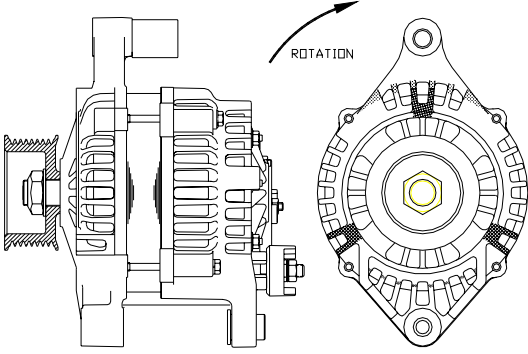
ALL LEECE-NEVILLE PART NUMBERS SHOWN ARE OE; FOR AFTERMARKET ORDERING ADD A "S" SUFFIX TO THE PART NUMBER (IE 66021601 IS OE & 66021601S IS AFTERMARKET)

## Alternator Application and Cross reference Guide

| Front & Side View   | Type & Part. N°   | Cross Ref.   | Application / Vehicle / Engine                                |
|---|---|--|---|
|    | <p><b>AVi128</b><br/><b>35214945</b><br/><b>12V 100A</b></p>                                      | <p>PIC<br/>250-435</p> <p>Ford<br/>2U1L-10300-BA<br/>XS61-10300-AA</p> | <p>Ford Courier Pickup<br/>Rocam 1.3L &amp; 1.6L</p>          |
|   | <p><b>AVi128</b><br/><b>35214965</b><br/><b>12V 90A</b></p> <p>Black Powder<br/>Coated Finish</p> |  | <p>GM Marine application</p>                                  |
|  | <p><b>AVi128</b><br/><b>35214975</b><br/><b>12V 100A</b></p>                                      | <p>PIC<br/>250-424</p> <p>Ford<br/>1L5U-10300-AD</p>                   | <p>Ford Light Trucks<br/>Ford Ranger 2.3L<br/>Mazda B2300</p> |

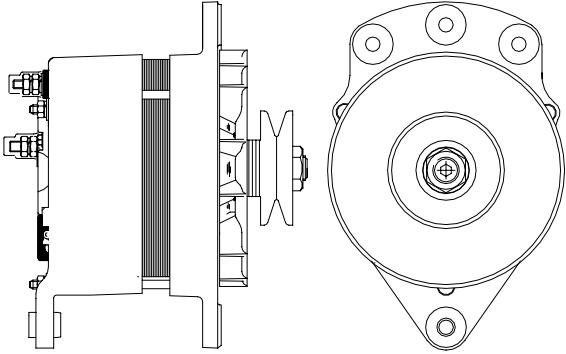
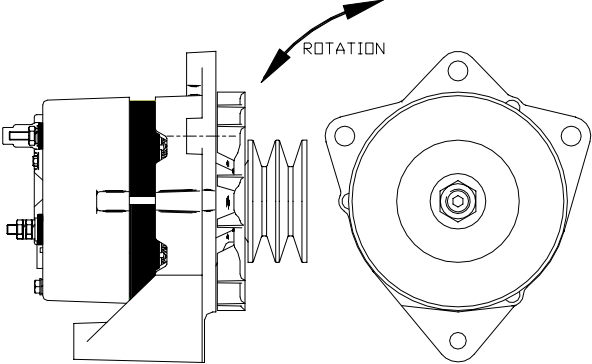
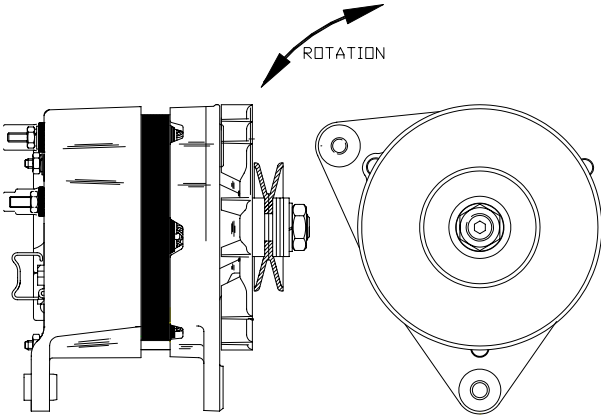
ALL LEECE-NEVILLE PART NUMBERS SHOWN ARE OE; FOR AFTERMARKET ORDERING ADD A "S" SUFFIX TO THE PART NUMBER (IE 66021601 IS OE & 66021601S IS AFTERMARKET)

## Alternator Application and Cross reference Guide

| Front & Side View   | Type & Part. N°                         | Cross Ref. | Application / Vehicle / Engine |
|---|---|------------|--------------------------------|
|  | <p>AVi128<br/>35214985<br/>12V 100A</p> |            |                                |

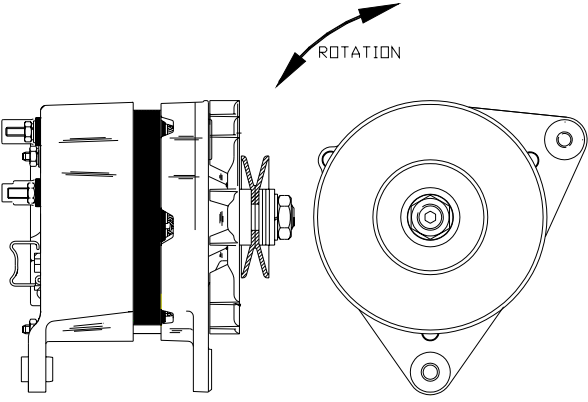
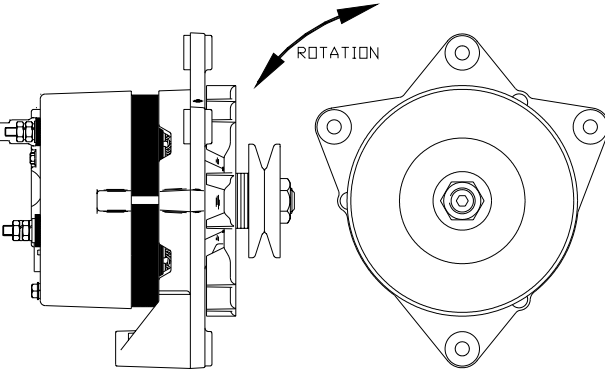
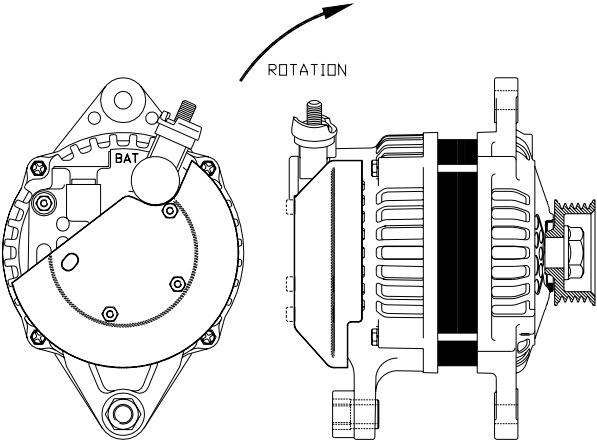
ALL LEECE-NEVILLE PART NUMBERS SHOWN ARE OE; FOR AFTERMARKET ORDERING ADD A "S" SUFFIX TO THE PART NUMBER (IE 66021601 IS OE & 66021601S IS AFTERMARKET)

## Alternator Application and Cross reference Guide

| Front & Side View   | Type & Part. N°  | Cross Ref.  | Application / Vehicle / Engine  |
|---|--|---|---|
|    | <p><b>AS123</b></p> <p><b>66021070</b><br/>"Multifit"</p> <p><b>12V 70A</b></p> <p>Variable Pulley</p> | <p>Leece-Neville<br/>110-571</p> <p>Iskra<br/>IA0301<br/>IA0396</p>   | <p>Agricultural<br/>Massey Ferguson Tractors<br/>354, 364, 374, 384, 394</p>  |
|   | <p><b>AS123</b></p> <p><b>66021134</b></p> <p><b>24V 55A</b></p> <p>2 Groove Pulley</p>                | <p>Lester<br/>PIC<br/>282-144</p> <p>Iskra<br/>IA-0360</p> <p>Bosch</p>   | <p>Mercedes Benz<br/>Hanomag Henschel<br/>Tatra</p>   |
|  | <p><b>AS123</b></p> <p><b>66021136</b></p> <p><b>12V 70A</b></p> <p>Variable Pulley</p>                | <p>Lester<br/>12040<br/>12045<br/>12046<br/>12088</p> <p>Lucas<br/>24157<br/>24158<br/>A2514</p> <p>Cargo<br/>110891<br/>110968<br/>111355</p> <p>Iskra<br/>IA 0067</p> <p>Marelli<br/>63324245</p> | <p>Ford<br/>Case<br/>Massey Ferguson<br/>Tractors<br/>&amp; Industrial</p> <p>JCB Lift truck</p> <p><b>Other Cross Reference</b></p> <p>Dixie A-448<br/>Perkins 2871A148<br/>Perkins 2871A154</p> |

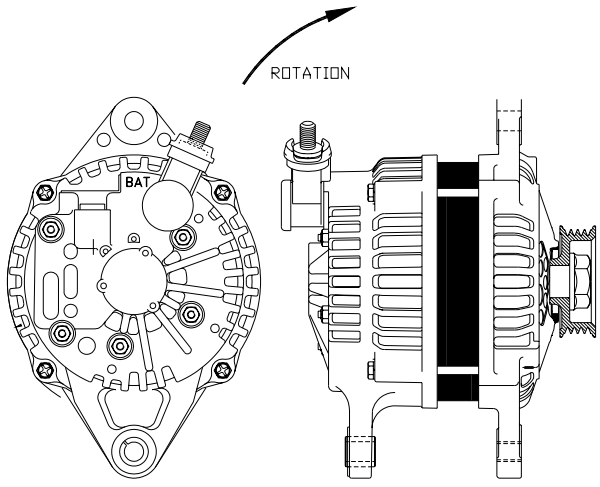
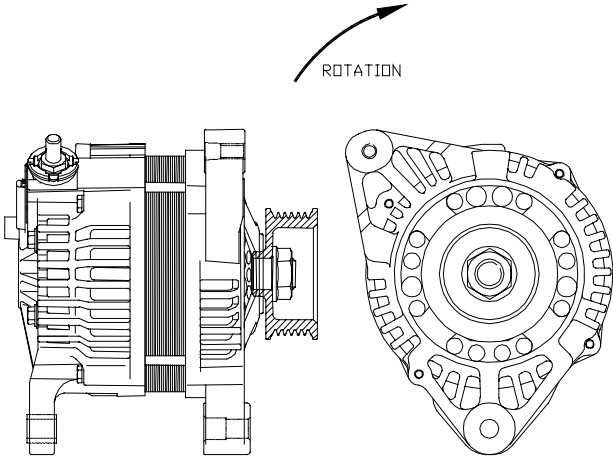
ALL LEECE-NEVILLE PART NUMBERS SHOWN ARE OE; FOR AFTERMARKET ORDERING ADD A "S" SUFFIX TO THE PART NUMBER (IE 66021601 IS OE & 66021601S IS AFTERMARKET)

## Alternator Application and Cross reference Guide

| Front & Side View   | Type & Part. N°  | Cross Ref.  | Application / Vehicle / Engine  |
|---|--|---|---|
|    | <b>AS123</b><br><br><b>66021137</b><br><br><b>12V 70A</b><br><br>Variable Pulley                             | Lester<br>12072<br><br>Lucas<br>24145<br>24260<br><br>Iskra<br>IA0305<br><br>Marelli<br>54022234D<br><br>Massey Ferguson<br>1475-922-M91  | Massey Ferguson<br>Perkins<br><br>Tractors<br>Combine<br>& Industrial   |
|   | <b>AS123</b><br><br><b>66021153</b><br><br><b>12V 70A</b>  | Lester<br>14948<br>14949<br><br>Iskra<br>IA-0096<br><br>Bosch<br>0-020-300-552<br>0 120 339 514<br>0 120 339 531<br>AL905X<br><br>Dixie<br>A-626<br><br>John Deere<br>RE 506197 | Case,<br>Deutz,<br>Massey Fergusson,<br>MWM,<br>Fendt<br>John Deere<br><br><b>Other Cross Reference</b><br><br>Delco 10459522 |
|  | <b>AVi128</b><br><br><b>66021300</b><br><br><b>12V 90A</b><br><br>5 Groove Pulley<br><br>Heat Shield on Rear | Lester<br>13446<br><br>Mitsubishi<br>A3T08491<br><br>Ford<br>F32Z-10346-B<br><br>Mazda<br>93AC-18-300-BA<br>K801-18-300B<br><br>Bosch<br>AL-4211X                               | Ford Probe<br>Mazda MX-3; MX-6<br><br>1.8L<br>V6 2.5L   |

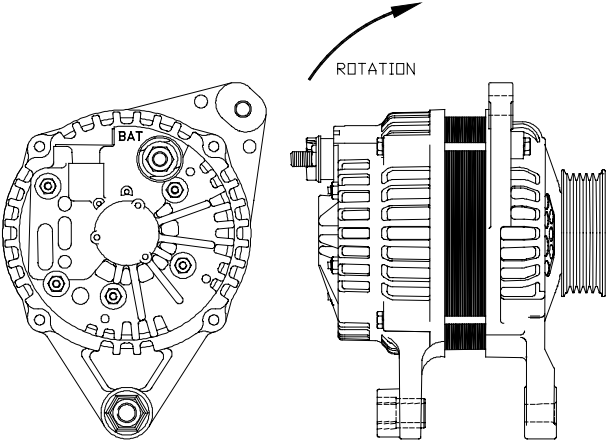
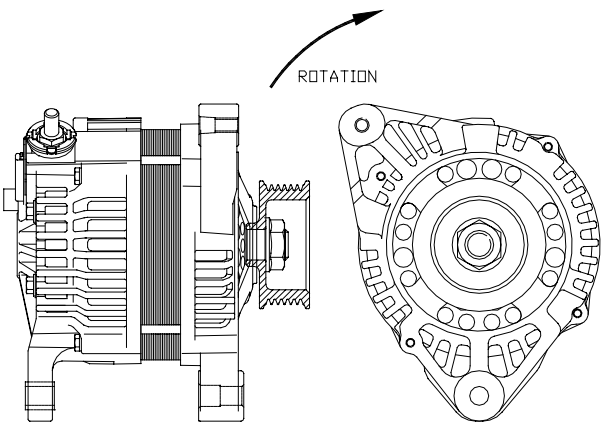
ALL LEECE-NEVILLE PART NUMBERS SHOWN ARE OE; FOR AFTERMARKET ORDERING ADD A "S" SUFFIX TO THE PART NUMBER (IE 66021601 IS OE & 66021601S IS AFTERMARKET)

## Alternator Application and Cross reference Guide

| Front & Side View   | Type & Part. N°   | Cross Ref.  | Application / Vehicle / Engine            |
|---|---|---|---|
|    | <p><b>AVi128</b><br/><b>66021301</b><br/><b>12V 90A</b><br/>4 Groove Pulley</p> | <p>Lester<br/>13196</p> <p>Mitsubishi<br/>A2T05892<br/>A2T05893</p> <p>Ford<br/>E92Z-10346-A<br/>E92Z-10346-B</p> <p>Mazda<br/>95AM-18300-AA<br/>F202-18-300<br/>F8B1-18-300</p> <p>Bosch<br/>AL-272X</p> <p>Cargo<br/>110664</p> | <p>Ford Probe</p> <p>Mazda<br/>2.2L</p>   |
|  | <p><b>AVi128</b><br/><b>66021303</b><br/><b>12V 80A</b><br/>6 Groove Pulley</p> | <p>Lester<br/>13636</p> <p>Hitachi<br/>LR180-744</p> <p>Nissan<br/>23100-1E800</p> <p>Bosch<br/>AL2364X</p>   | <p>Nissan Altima<br/>L4 2.4L (KA24DE)</p> |

ALL LEECE-NEVILLE PART NUMBERS SHOWN ARE OE; FOR AFTERMARKET ORDERING ADD A "S" SUFFIX TO THE PART NUMBER (IE 66021601 IS OE & 66021601S IS AFTERMARKET)

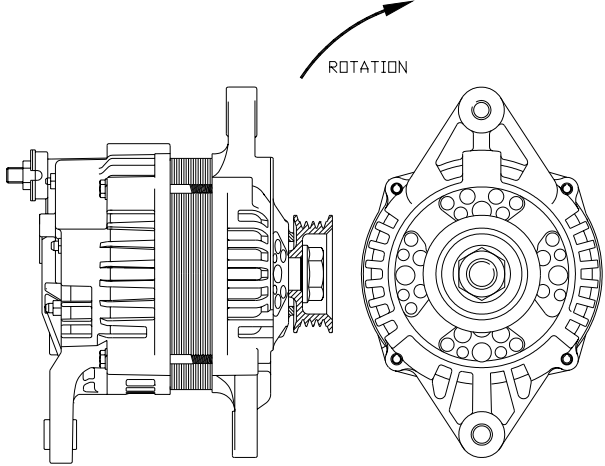
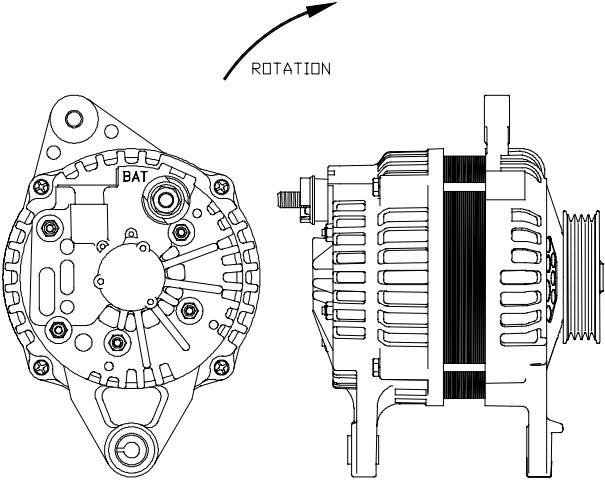
## Alternator Application and Cross reference Guide

| Front & Side View  | Type & Part. N°   | Cross Ref.   | Application / Vehicle / Engine  |
|--|---|--|---|
|   | <p><b>AVi128</b><br/><b>66021306</b><br/><br/><b>12V 90A</b><br/><br/><br/><br/><br/><b>5 Groove Pulley</b></p> | <p>Lester<br/>13272<br/>13352</p> <p>Mitsubishi<br/>A3T00792<br/>MD112322</p> <p>Bosch<br/>AL4003X<br/>AL4010X</p>   | <p>Dodge Stelth<br/>Hyundai Sonata</p> <p>Mitsubishi Colt<br/>Mitsubishi Diamante<br/>Mitsubishi Galant<br/>Mitsubishi Sigma</p> <p>V6 3.0L</p> |
|  | <p><b>AVi128</b><br/><b>66021308</b><br/><br/><b>12V 80A</b><br/><br/><br/><br/><br/><b>6 Groove Pulley</b></p> | <p>Lester<br/>13640<br/>13723</p> <p>Hitachi<br/>LR180-741<br/>H &amp; S</p> <p>Mitsubishi<br/>A2T82491<br/>A2T82491A</p> <p>Nissan<br/>23100-0M810<br/>23100-2J010<br/>23100-4B400</p> <p>Bosch<br/>AL2370X</p> | <p>Nissan Infinity G20<br/>Nissan Sentra<br/>Nissan 200SX</p> <p>L4 2.0L (SR20DE)</p>   |

ALL LEECE-NEVILLE PART NUMBERS SHOWN ARE OE; FOR AFTERMARKET ORDERING ADD A "S" SUFFIX TO THE PART NUMBER (IE 66021601 IS OE & 66021601S IS AFTERMARKET)

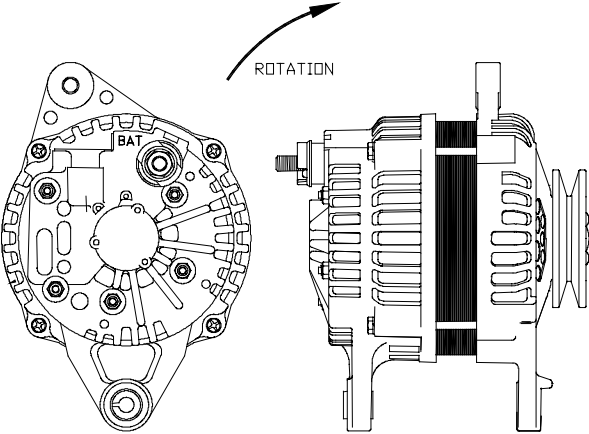
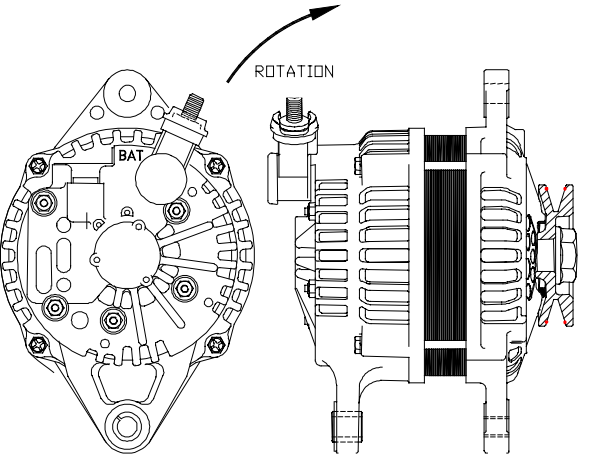
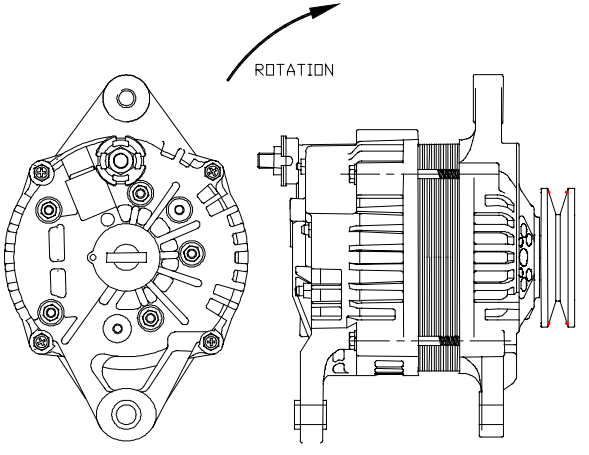


## Alternator Application and Cross reference Guide

| Front & Side View   | Type & Part. N°  | Cross Ref.  | Application / Vehicle / Engine   |
|---|--|---|--|
|    | <b>AVi128</b><br><b>66021309</b><br><b>12V 90A</b><br><br><b>4 Groove Pulley</b> | Lester<br>13334<br><br>Hitachi<br>LR170-738<br><br>Nissan<br>23100-EQ001B<br>23100-50Y06<br>23100-50Y09<br><br>Bosch<br>AL2354X<br><br>J&N<br>44-44002  | Nissan NX 1600<br>Nissan Sentra<br><br>L4 1.6L (GA16DE)  |
|  | <b>AVi128</b><br><b>66021312</b><br><b>12V 90A</b><br><br><b>4 Groove Pulley</b> | Lester<br>13249<br>13271<br>13289<br>13451<br><br>Mitsubishi<br>A2T38391<br>A3T03392<br>A3T03492<br>MD136838<br>MD133171<br>MD153843<br><br>Bosch<br>AL4005X<br>AL4006X<br>AL4008X<br>AL4009X<br><br>J&N<br>400-48003 | Dodge Colt<br>1.6L & 2.4L<br><br>Mitsubishi<br>1.6L; 2.0L & 2.4L<br><br>Plymouth Colt<br>All Models<br><br>Plymouth<br>1.6L; 2.0L & 2.4L |

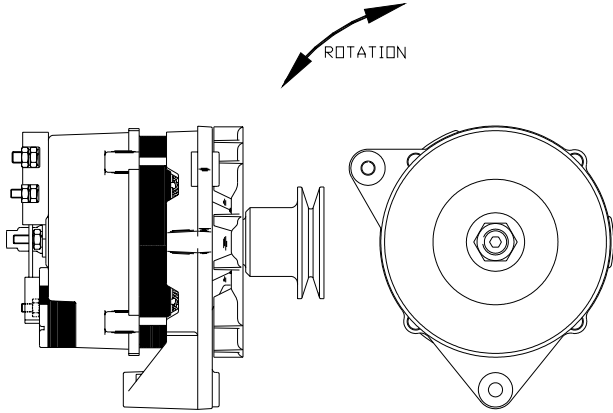
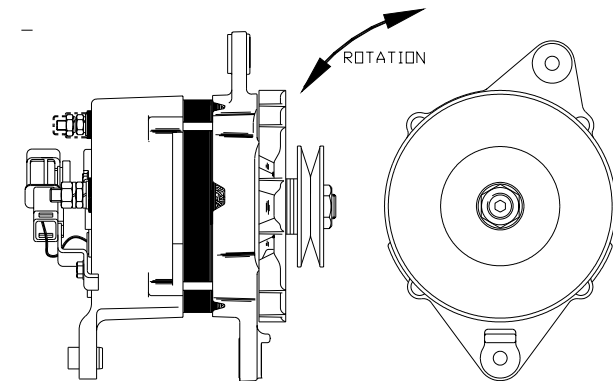
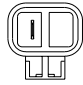
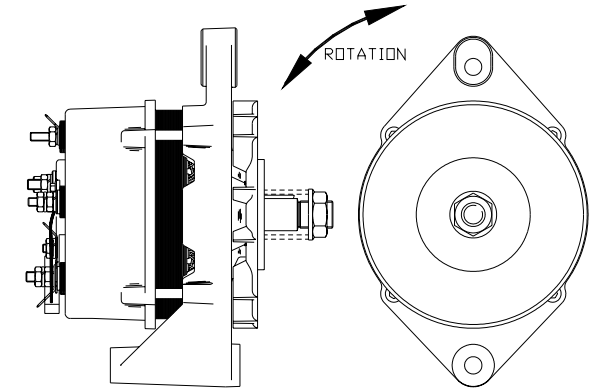
ALL LEECE-NEVILLE PART NUMBERS SHOWN ARE OE; FOR AFTERMARKET ORDERING ADD A "S" SUFFIX TO THE PART NUMBER (IE 66021601 IS OE & 66021601S IS AFTERMARKET)

## Alternator Application and Cross reference Guide

| Front & Side View   | Type & Part. N°   | Cross Ref.   | Application / Vehicle / Engine   |
|---|---|--|--|
|    | <p><b>AVi128</b><br/><b>66021330</b><br/><b>12V 80A</b></p> | <p>Lester<br/>12303</p> <p>Mitsubishi<br/>MD169683<br/>A3T03471</p> <p>Clark<br/>920244</p>                                | <p>Mitsubishi Forklift FGC Series<br/>Gas &amp; LPG<br/>4G33; 4G52; 4G54; 4G64 Engines</p> |
|   | <p><b>AVi128</b><br/><b>66021331</b><br/><b>12V 90A</b></p> | <p>Lester<br/>13237</p> <p>Mitsubishi<br/>A2T17574</p> <p>Mazda<br/>N350-18-300<br/>A &amp; B</p> <p>Bosch<br/>AL4209X</p> | <p>Mazda</p>   |
|  | <p><b>AVi128</b><br/><b>66021332</b><br/><b>12V 90A</b></p> | <p>Lester<br/>12136</p> <p>Mitsubishi<br/>A7T03371<br/>A7T03371A</p> <p>Nissan<br/>23100-50K10</p>                         | <p>Nissan Forklift<br/>H20 2.0L<br/>H25 2.4L</p>   |

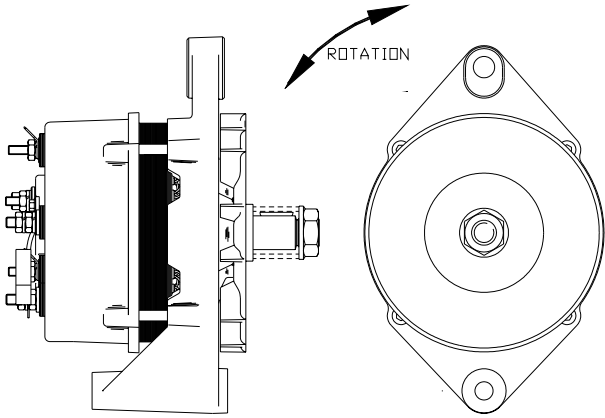
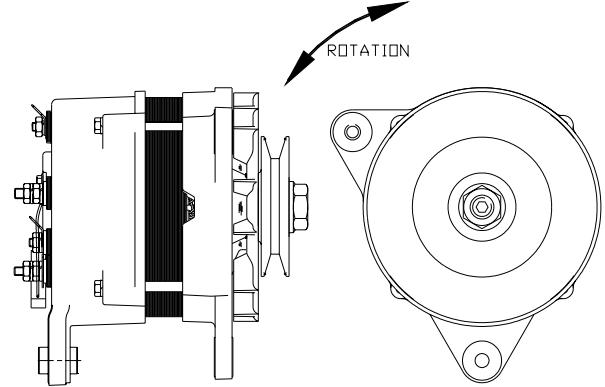
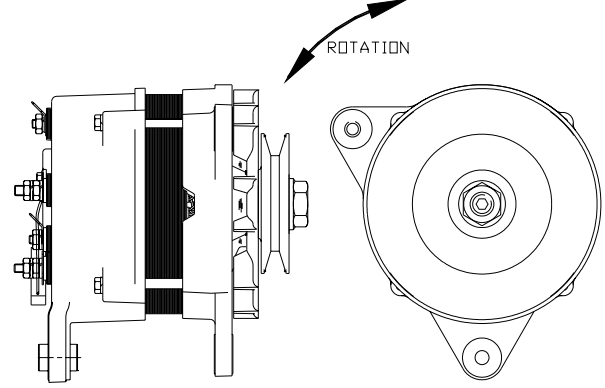
ALL LEECE-NEVILLE PART NUMBERS SHOWN ARE OE; FOR AFTERMARKET ORDERING ADD A "S" SUFFIX TO THE PART NUMBER (IE 66021601 IS OE & 66021601S IS AFTERMARKET)

## Alternator Application and Cross reference Guide

| Front & Side View   | Type & Part. N°  | Cross Ref.   | Application / Vehicle / Engine  |
|---|--|--|---|
|    | <p><b>AS123</b><br/><b>66021433</b><br/><b>12V 70A</b></p> <p>With VW terminal block</p>   | <p>Lester<br/>14970<br/>14875</p> <p>PIC<br/>220-224<br/>208-132</p> <p>Bosch<br/>0-120-489-362</p> <p>Bosch Reman<br/>AL32X</p> <p>Valeo<br/>2940304</p> <p>Volkswagen<br/>025-903-023B</p> | <p>Volkswagen</p> <p>Cabriolet 1.8L<br/>Fox 1.8L<br/>Golf 1.8L<br/>Jetta 1.8L<br/>Scirocco 1.8L</p>   |
|   | <p><b>AS123</b><br/><b>66021470</b><br/><b>12V 65A</b></p> <p>Yazaki Plug For Excitation</p>  | <p>Lester<br/>12303</p> <p>Mitsubishi<br/>A3T03471<br/>MD169683</p>  | <p>Mitsubishi Caterpillar<br/>Clark Fork Lifts<br/>FG; FGC &amp; KFG Series Lift Trucks</p> <p>Mitsubishi Engines<br/>4G33<br/>4G52<br/>4G54<br/>4G64</p> |
|  | <p><b>AS123</b><br/><b>66021490</b><br/><b>24V 55A</b></p> <p>19mm Shaft with Key</p> <p>Insulated Ground<br/>Separate Field Control</p>   | <p>Lester</p> <p>Perkins<br/>CV70291</p>   | <p>Perkins</p>  |

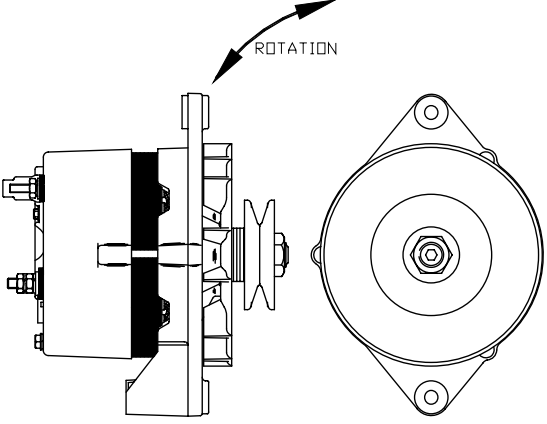
ALL LEECE-NEVILLE PART NUMBERS SHOWN ARE OE; FOR AFTERMARKET ORDERING ADD A "S" SUFFIX TO THE PART NUMBER (IE 66021601 IS OE & 66021601S IS AFTERMARKET)

## Alternator Application and Cross reference Guide

| Front & Side View   | Type & Part. N°   | Cross Ref.  | Application / Vehicle / Engine          |
|---|---|---|---|
|    | <p><b>AS123</b><br/><b>66021497</b><br/><b>24V 55A</b><br/>19mm Shaft<br/>with<br/>Key</p> <p>Insulated<br/>Ground<br/>Separate Field<br/>Control</p> | <p>Lester</p> <p>Prestolite<br/>LNA 4024/8</p> <p>Cummins<br/>3634778</p> | <p>Industrial</p> <p>Cummins GenSet</p> |
|   | <p><b>AS128e</b><br/><b>66021532</b><br/><b>24V 60A</b><br/>80mm<br/>Pulley</p>   | <p>Sabre Marine<br/>35362</p> <p>Lucas<br/>47020083</p>                   | <p>Perkins / Sabre Marine</p>           |
|  | <p><b>AS128e</b><br/><b>66021535</b><br/><b>12V 90A</b><br/>80mm<br/>Pulley</p>   | <p>Sabre Marine<br/>35361</p> <p>Lucas<br/>47020088</p>                   | <p>Perkins / Sabre Marine</p>           |

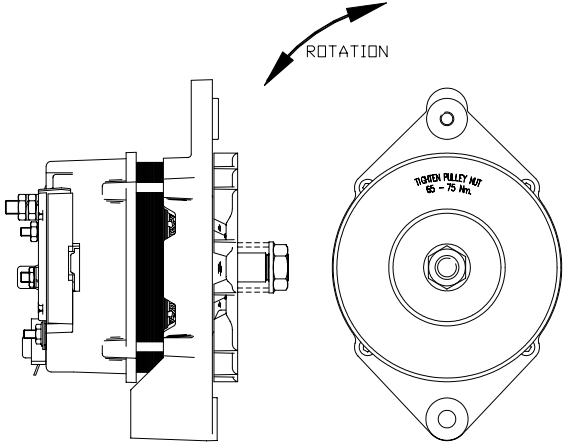
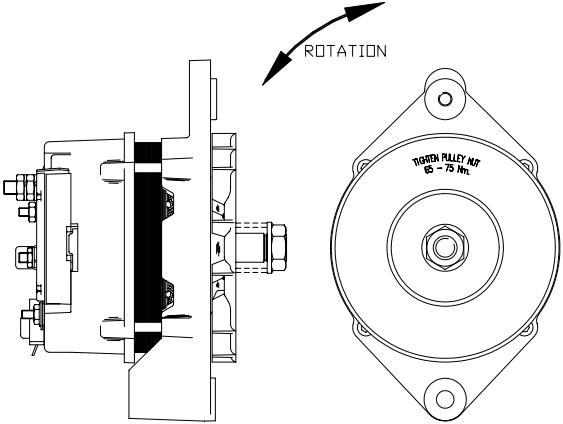
ALL LEECE-NEVILLE PART NUMBERS SHOWN ARE OE; FOR AFTERMARKET ORDERING ADD A "S" SUFFIX TO THE PART NUMBER (IE 66021601 IS OE & 66021601S IS AFTERMARKET)

## Alternator Application and Cross reference Guide

| Front & Side View   | Type & Part. N°  | Cross Ref. | Application / Vehicle / Engine |
|---|--|------------|--------------------------------|
|  | <p>AS123<br/>66021538<br/>12V 60A<br/>Earth Polarity</p> |            |                                |

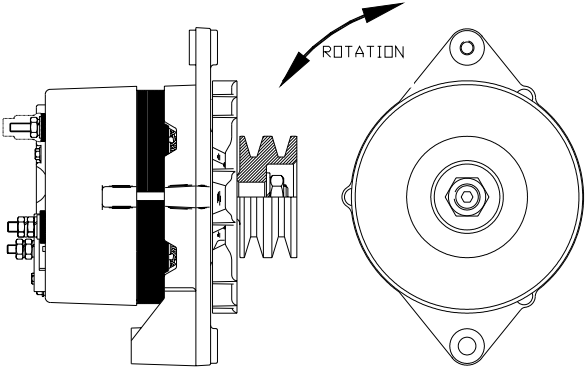
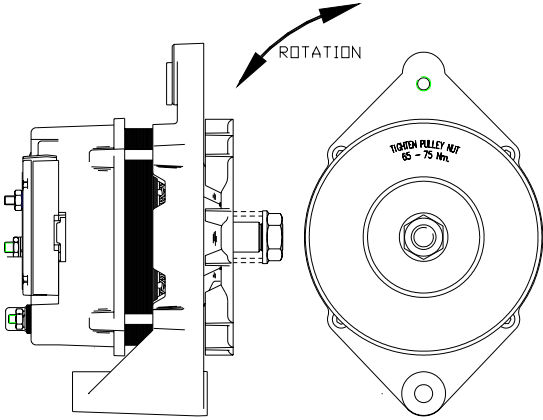
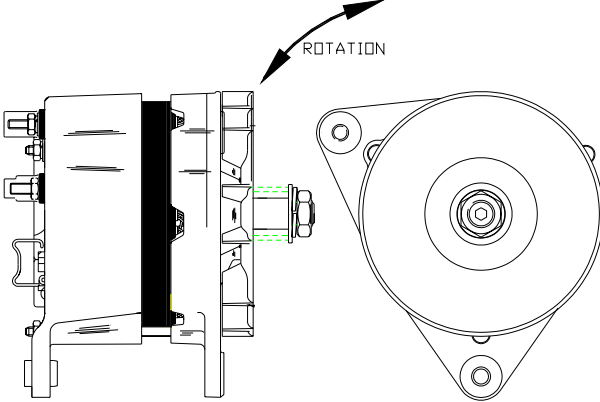
ALL LEECE-NEVILLE PART NUMBERS SHOWN ARE OE; FOR AFTERMARKET ORDERING ADD A "S" SUFFIX TO THE PART NUMBER (IE 66021601 IS OE & 66021601S IS AFTERMARKET)

## Alternator Application and Cross reference Guide

| Front & Side View   | Type & Part. N°  | Cross Ref.   | Application / Vehicle / Engine   |
|---|--|--|--|
|    | <p><b>AS123</b><br/><b>66021600</b><br/><b>24V 50A</b><br/><br/>17mm shaft</p> | <p>Lester<br/>12148<br/><br/>PIC<br/>220-379<br/>220-378<br/><br/>Bosch<br/>9-120-060-039<br/>9-120-060-045<br/>0-120-488-206<br/>AL9940X<br/><br/>Delco<br/>19020535<br/><br/>John Deere<br/>TY24322<br/><br/>Onan<br/>0191-2326-02<br/>0191-1983-02</p>  | <p>Cummins Power Generation, Onan<br/>Gensets<br/>John Deere 850C<br/>Grader<br/>Crawler<br/>Case Excavator<br/>Komatsu<br/><br/>Cummins B4 3.9L<br/>Cummins B6 5.9L</p> |
|  | <p><b>AS123</b><br/><b>66021601</b><br/><b>12V 65A</b><br/><br/>17mm shaft</p> | <p>Lester<br/>12146<br/>12158<br/>12161<br/><br/>PIC<br/>220-382<br/><br/>Bosch<br/>9-120-060-040<br/>9-120-488-205<br/>AL9959X<br/><br/>Cummins<br/>3920679<br/>3604448RX<br/><br/>Delco<br/>10459500<br/>19020536<br/><br/>Dixie<br/>A-6185<br/><br/>John Deere<br/>AT173624<br/><br/>Onan<br/>0191-2326-01<br/>0191-1983-01</p> | <p>Cummins Power Generation, Onan<br/>Gensets<br/>John Deere Backhoe<br/>John Deere Loader<br/><br/>Cummins B4 3.9L<br/>Cummins B6 5.9L<br/>JD 310E, 315D, 410C</p>      |

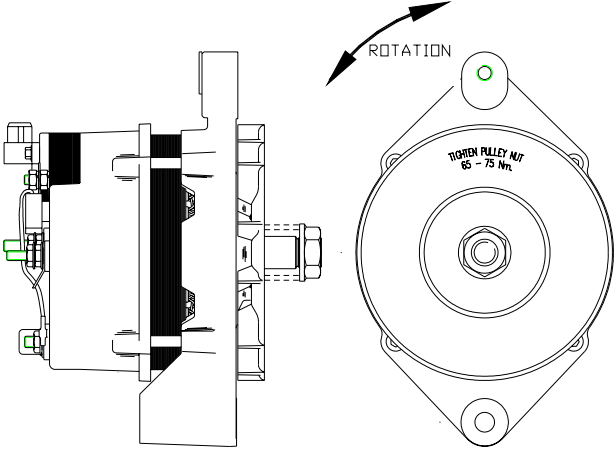
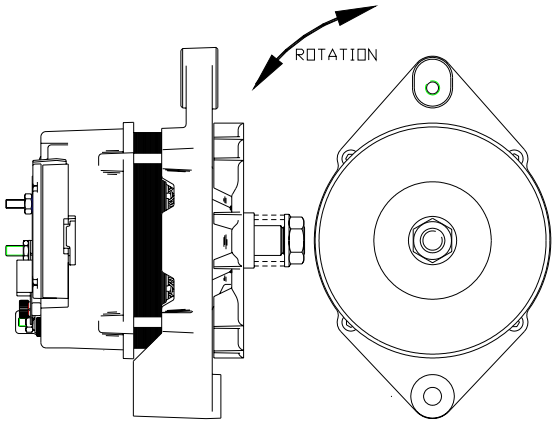
ALL LEECE-NEVILLE PART NUMBERS SHOWN ARE OE; FOR AFTERMARKET ORDERING ADD A "S" SUFFIX TO THE PART NUMBER (IE 66021601 IS OE & 66021601S IS AFTERMARKET)

## Alternator Application and Cross reference Guide

| Front & Side View   | Type & Part. N°   | Cross Ref.  | Application / Vehicle / Engine   |
|---|---|---|--|
|    | <p><b>AS123</b><br/><b>66021603</b><br/><b>12V 65A</b><br/><br/>70mm Double Groove Pulley</p>                         | <p>Lester<br/><br/>Mando<br/>TA000B32301<br/><br/>Mitsubishi CAT<br/>91920-04200</p>  | <p>Mitsubishi Caterpillar</p>  |
|   | <p><b>AS123</b><br/><b>66021604</b><br/><b>12V 65A</b><br/><br/>17mm Shaft<br/><br/>External Regulator</p>            | <p>Lester<br/>7078<br/><br/>Ford<br/>1U1L-10346-AA<br/>E1BF-10346-BA<br/>D8BF-10346-AA<br/>D9HT-10300-EA<br/>E1ZF-10300-CA</p>                              | <p>Ford Fairmont, Granada, Mustang<br/>2.3L L4<br/>2.8L V6<br/>3.3L V6<br/>4.1L L6<br/>4.2L V8<br/>5.0L V8<br/>5.8L V8<br/><br/>Ford Medium Trucks. E &amp; F Series</p> |
|  | <p><b>AS123</b><br/><b>66021605</b><br/><b>12V 70A</b><br/><br/>17mm Shaft<br/><br/>Temperature Sensing Regulator</p> | <p>Lester<br/>12090<br/>12091<br/><br/>Lucas<br/>24274<br/>24274D<br/><br/>Massey Ferguson<br/>3701-909-M91<br/><br/>Marelli<br/>54022337<br/>54022776D</p> | <p>Ford<br/>Massey Ferguson<br/>Perkins<br/><br/>Tractors<br/>&amp; Industrial</p>   |

ALL LEECE-NEVILLE PART NUMBERS SHOWN ARE OE; FOR AFTERMARKET ORDERING ADD A "S" SUFFIX TO THE PART NUMBER (IE 66021601 IS OE & 66021601S IS AFTERMARKET)

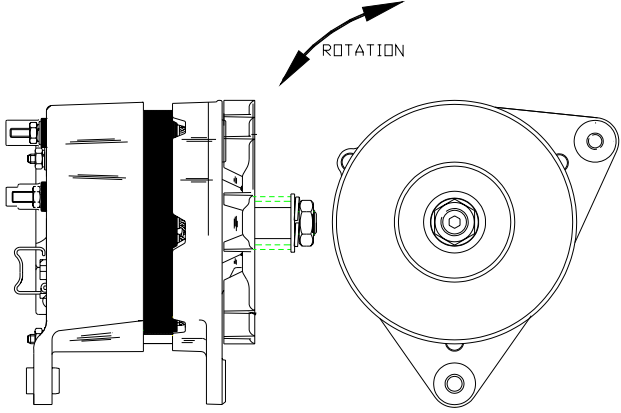
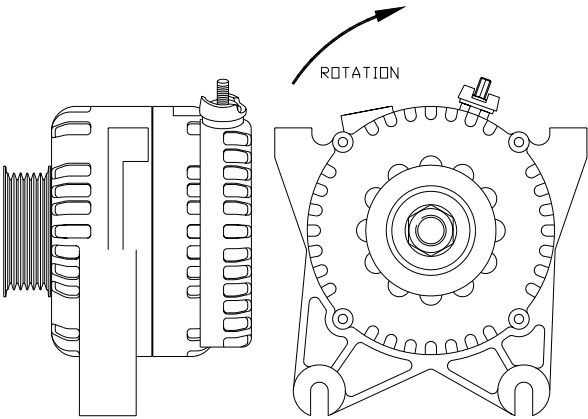
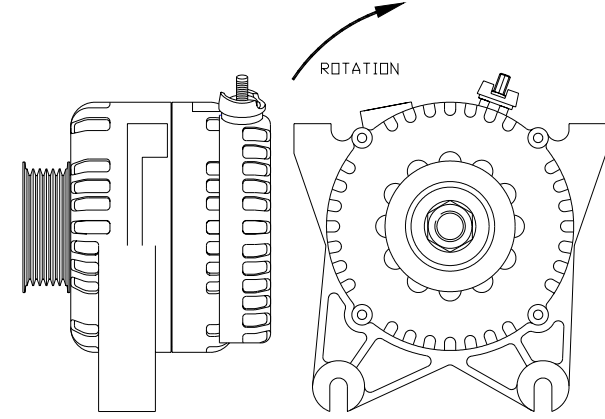
## Alternator Application and Cross reference Guide

| Front & Side View   | Type & Part. N°  | Cross Ref.  | Application / Vehicle / Engine   |
|---|--|---|--|
|  <p style="text-align: center;">ROTATION</p> <p style="text-align: center;">TIGHTEN PULLEY NUT<br/>65 - 75 Nm</p> <p style="text-align: center;">Bosch Type Plug</p> | <p><b>AS123</b><br/><b>66021606</b><br/><b>12V 70A</b><br/>17mm<br/>Shaft</p>      | <p>Lester<br/>12223</p> <p>Bosch<br/>9-120-060-028<br/>9-120-060-027<br/>9-120-060-023<br/>AL927X<br/>AL929X</p> <p>Thermo King<br/>44-9570<br/>44-9571<br/>44-9572</p>   | <p style="text-align: center;">Thermo King</p>   |
|  <p style="text-align: center;">ROTATION</p>   | <p><b>AS123</b><br/><b>66021608</b><br/><b>12V 70A</b><br/>17mm long<br/>Shaft</p> | <p>Lester<br/>12158<br/>13193</p> <p>Bosch<br/>9-120-489-703<br/>9-120-489-704<br/>AL906X</p> <p>Delco<br/>10459520</p> <p>Dixie<br/>A-6108</p> <p>Iskra<br/>IA0592<br/>IA0595</p> <p>John Deere<br/>AT173624</p> | <p style="text-align: center;">John Deere Backhoe<br/>John Deere Loader</p> <p style="text-align: center;">Tractors<br/>&amp; Industrial</p> |

ALL LEECE-NEVILLE PART NUMBERS SHOWN ARE OE; FOR AFTERMARKET ORDERING ADD A "S" SUFFIX TO THE PART NUMBER (IE 66021601 IS OE & 66021601S IS AFTERMARKET)

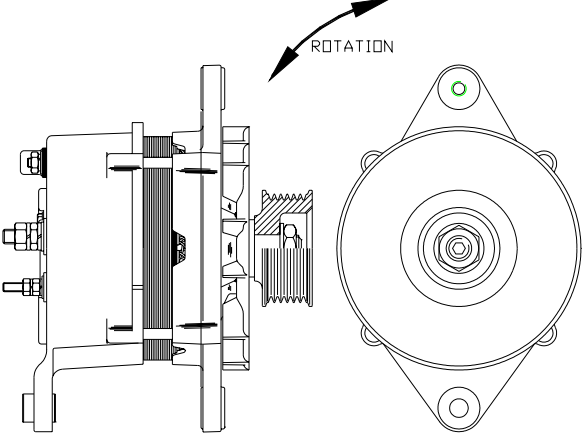
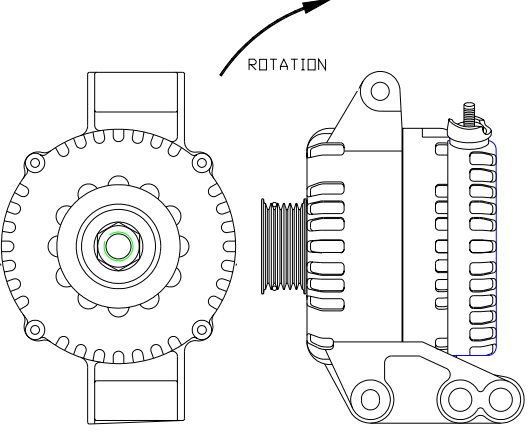
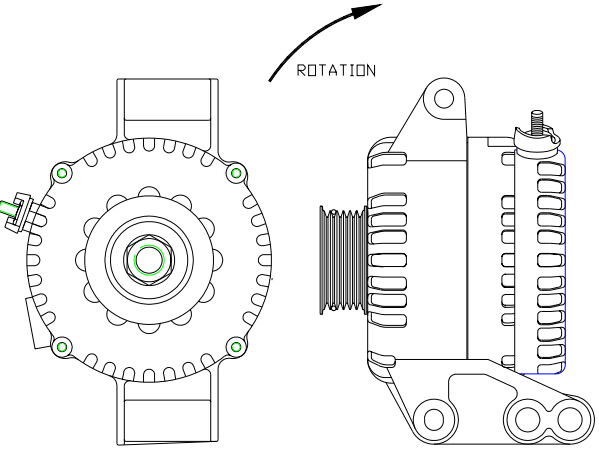


## Alternator Application and Cross reference Guide

| Front & Side View   | Type & Part. N°   | Cross Ref.   | Application / Vehicle / Engine   |
|---|---|--|--|
|    | <p><b>AS123</b><br/><b>66021609</b><br/><b>12V 70A</b><br/>17mm Shaft<br/>Temperature Sensing Regulator</p> | <p>Lester<br/>Lucas<br/>Massey Ferguson<br/>Marelli</p>                                | <p>Ford AG<br/>Massey Ferguson<br/>Perkins<br/>Tractors &amp; Industrial</p> |
|   | <p><b>AVi128</b><br/><b>66021610</b><br/><b>12V 90A</b><br/>6 Groove Pulley</p>                             | <p>Lester 7776<br/><br/>Ford<br/>1U1L-10300-AA<br/>F85U-10300-BA<br/>F85U-10300-BC</p> | <p>5.4L Marine Engine<br/>6.8L Engine<br/><br/>Complies to SAE J1171</p>     |
|  | <p><b>AVi128</b><br/><b>66021611</b><br/><b>12V 90A</b><br/>8 Groove Pulley</p>                             | <p>Lester 8251<br/><br/>Ford<br/>2U1L-10300-AA<br/>XL3U-10300-AA<br/>F8SU-10300-BC</p> | <p>5.4L Supercharged Engine<br/><br/>Complies to SAE J1171</p>               |

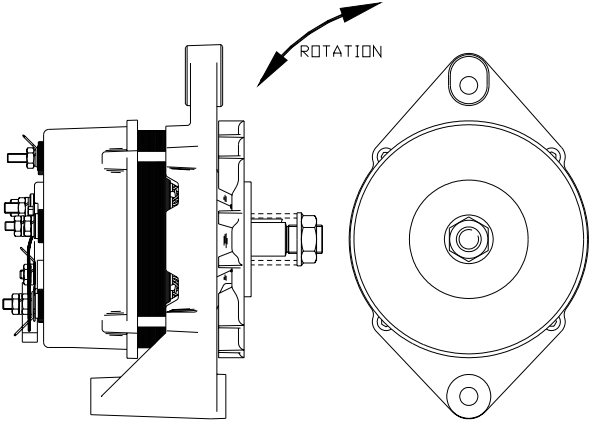
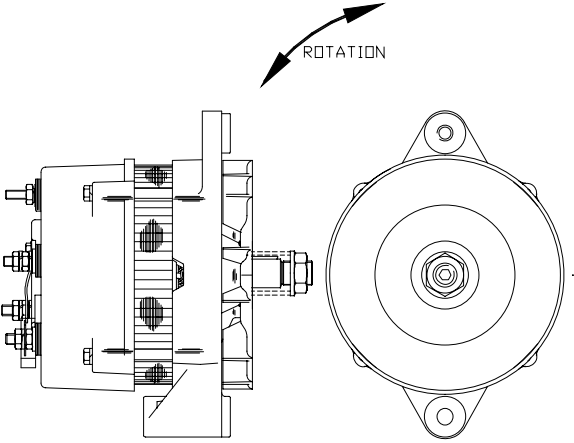
ALL LEECE-NEVILLE PART NUMBERS SHOWN ARE OE; FOR AFTERMARKET ORDERING ADD A "S" SUFFIX TO THE PART NUMBER (IE 66021601 IS OE & 66021601S IS AFTERMARKET)

## Alternator Application and Cross reference Guide

| Front & Side View   | Type & Part. N°   | Cross Ref.  | Application / Vehicle / Engine   |
|---|---|---|--|
|    | <p><b>AS123</b><br/><b>66021612</b><br/><b>12V 70A</b><br/>5 Groove Pulley</p>  | <p>Lester</p>   | <p>Team Fenex<br/>Agriculture &amp; Industrial</p>   |
|   | <p><b>AVi128</b><br/><b>66021613</b><br/><b>12V 95A</b><br/>6 Groove Pulley</p> | <p>PIC<br/>250-435<br/><br/>Ford<br/>2U1L-10300-CA<br/>XS61-10300-BD</p>  | <p>Ford Industrial<br/>Rocam engine<br/><br/>1.3L L4<br/>1.6L L4<br/><br/>Also Complies to SAE J1171 for marine applications</p>   |
|  | <p><b>AVi128</b><br/><b>66021614</b><br/><b>12V 95A</b><br/>6 Groove Pulley</p> | <p>Lester<br/>7750<br/><br/>Ford<br/>F57U-10300-AA<br/>F67U-10300-BA<br/>F77U-10300-BA<br/><br/>Bosch<br/>AL7545X<br/><br/>J &amp; N<br/>400-14020<br/><br/>WAI<br/>1-1431-12FD<br/>20-221-10</p> | <p>Ford Light Trucks<br/>Aerostar, E-series vans,<br/>Explorer, Ranger<br/><br/>Ford Industrial<br/><br/>3.0L V6<br/>4.0L V6<br/>2.3L L4<br/>2.5L L4<br/><br/>Also Complies to SAE J1171 for marine applications</p> |

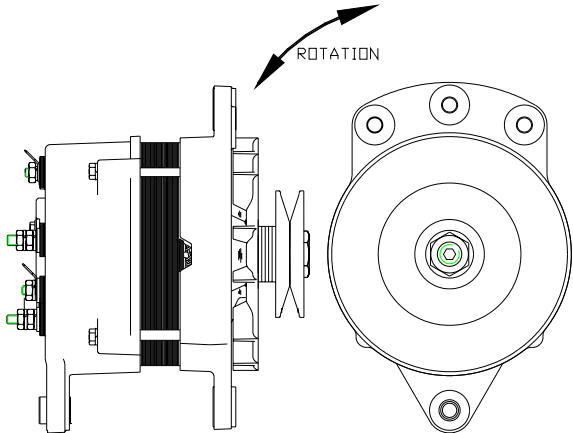
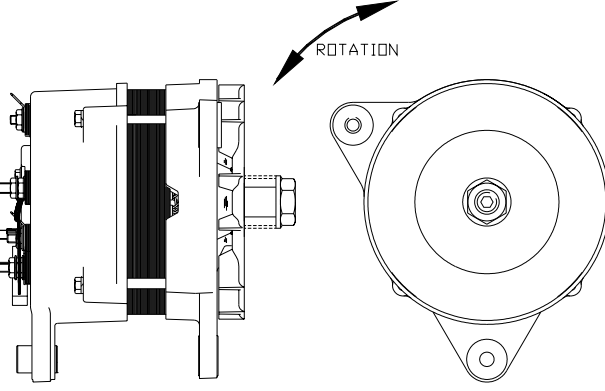
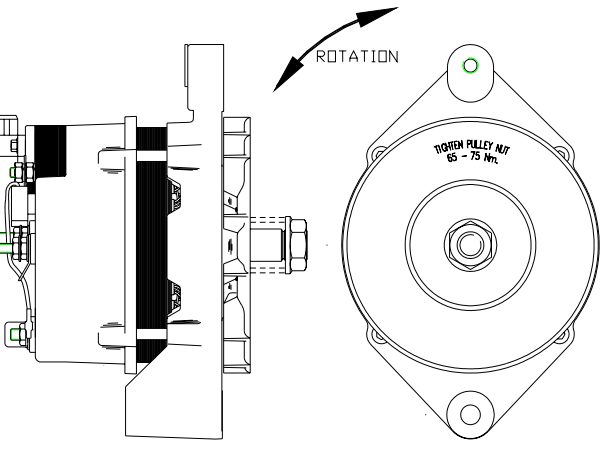
ALL LEECE-NEVILLE PART NUMBERS SHOWN ARE OE; FOR AFTERMARKET ORDERING ADD A "S" SUFFIX TO THE PART NUMBER (IE 66021601 IS OE & 66021601S IS AFTERMARKET)

## Alternator Application and Cross reference Guide

| Front & Side View  | Type & Part. N°  | Cross Ref.   | Application / Vehicle / Engine  |
|--|--|--|---|
|   | <p><b>AS123</b><br/><b>66021616</b><br/><b>24V 55A</b><br/>19mm Shaft<br/>with<br/>Key<br/><br/>Insulated<br/>ground</p> | <p>Lester<br/><br/>Cummins<br/>4094998<br/><br/>Prestolite<br/>LNA 4024<br/>126973<br/>AC5 82460M</p>  | <p>Cummins<br/><br/>QSK 19</p>  |
|  | <p><b>AS128e</b><br/><b>66021620</b><br/><b>12V 100A</b><br/>17mm Shaft<br/><br/>70mm<br/>Pulley</p>                     | <p>Lester<br/>12145<br/><br/>Bosch<br/>0-120-484-011<br/>0-120-484-018<br/>0-120-484-026<br/>AL9909X<br/><br/>Delco<br/>10459499<br/><br/>Dixie<br/>A-6236<br/><br/>Case<br/>A187623<br/><br/>Caterpillar<br/>1052813<br/><br/>John Deere<br/>AH137883<br/><br/>Perkins<br/>3054</p> | <p>Agriculture<br/>Industrial<br/>Off Road<br/><br/>John Deere Crawler,<br/>Skidder, Tractor<br/><br/>Caterpillar Backhoe</p> |

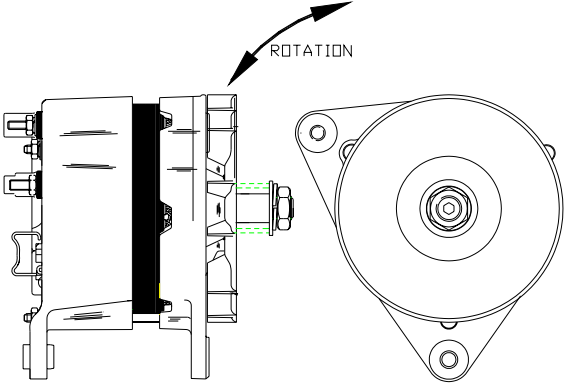
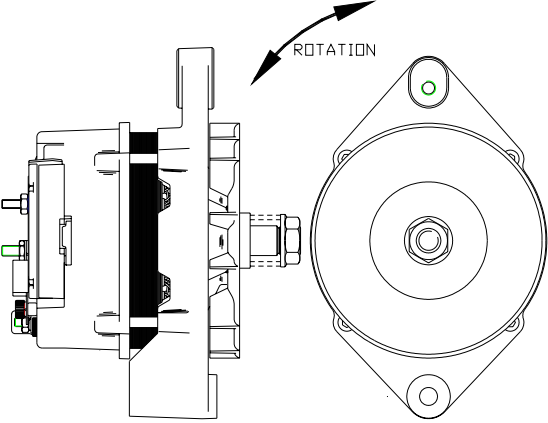
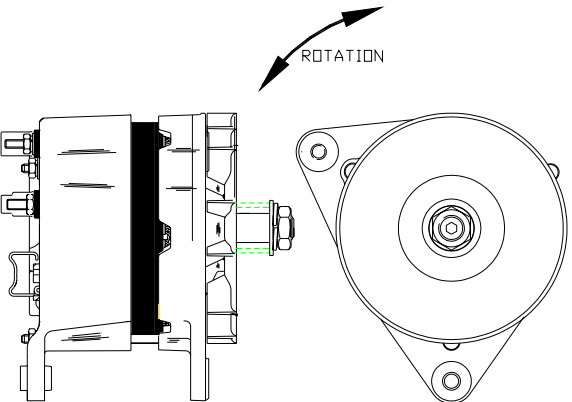
ALL LEECE-NEVILLE PART NUMBERS SHOWN ARE OE; FOR AFTERMARKET ORDERING ADD A "S" SUFFIX  
TO THE PART NUMBER (IE 66021601 IS OE & 66021601S IS AFTERMARKET)

## Alternator Application and Cross reference Guide

| Front & Side View   | Type & Part. N°  | Cross Ref.   | Application / Vehicle / Engine                          |
|---|--|--|---|
|    | <p><b>AS128e</b><br/><b>66021621</b><br/><b>12V 100A</b><br/>Variable<br/>65mm<br/>Pulley<br/>Supplied<br/>with<br/>Multifit<br/>Kit</p> | <p>Lester<br/><br/>Various</p>   | <p>Agriculture<br/>Industrial<br/>Off Road</p>          |
|   | <p><b>AS128e</b><br/><b>66021622</b><br/><b>12V 100A</b><br/>17mm<br/>Shaft</p>  | <p>Lester<br/><br/>Various</p>   | <p>Ford AG<br/>Massey Ferguson<br/><br/>Agriculture</p> |
|  | <p><b>AS128e</b><br/><b>66021624</b><br/><b>12V 90A</b><br/>17mm<br/>Shaft<br/><br/>Bosch Type Plug</p>                                  | <p>Lester<br/>12223<br/><br/>Bosch<br/>9-120-060-028<br/>9-120-060-027<br/>9-120-060-023<br/>AL927X<br/>AL929X<br/>AL929N<br/><br/>Thermo King<br/>44-9570<br/>44-9571<br/>44-9572</p> | <p>Thermo King</p>                                      |

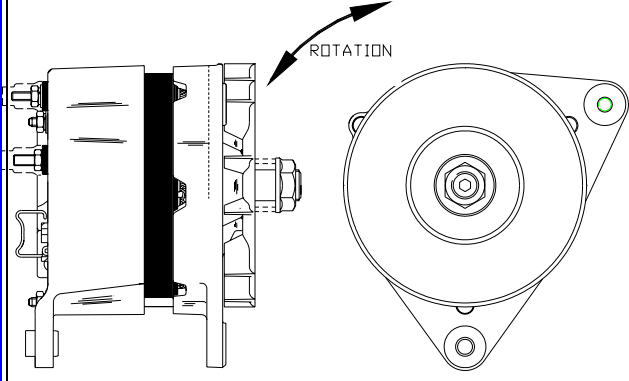
ALL LEECE-NEVILLE PART NUMBERS SHOWN ARE OE; FOR AFTERMARKET ORDERING ADD A "S" SUFFIX TO THE PART NUMBER (IE 66021601 IS OE & 66021601S IS AFTERMARKET)

## Alternator Application and Cross reference Guide

| Front & Side View   | Type & Part. N°   | Cross Ref.  | Application / Vehicle / Engine   |
|---|---|---|--|
|    | <p><b>AS128e</b><br/><b>66021625</b><br/><b>12V 100A</b><br/>17mm Shaft<br/>Temperature Sensed Regulator</p>              | <p>Lester<br/>12094<br/><br/>Various</p>  | <p>Ford AG<br/>Agriculture</p>   |
|   | <p><b>AS123</b><br/><b>66021631</b><br/><b>12V 70A</b><br/>17mm long Shaft<br/>10mm Clear hole in top lug</p>             | <p>Lester<br/>12158<br/><br/>Bosch<br/>9-120-060-040<br/>9-120-060-045<br/>AL906X<br/>AL9959X<br/><br/>Iskra<br/>IA0592<br/>IA0595<br/><br/>John Deere<br/>AT173624</p> | <p>John Deere Backhoe<br/>John Deere Loader<br/><br/>Tractors &amp; Industrial</p>             |
|  | <p><b>AS123</b><br/><b>66021636</b><br/><b>12V 70A</b><br/>17mm Shaft<br/><br/>Similar to 66021136 but for shaft size</p> | <p>Lester<br/>12040<br/>12045<br/>12088<br/><br/>Lucas<br/>24157<br/>24158<br/><br/>Iskra<br/>IA 0067<br/><br/>Marelli<br/>63324245</p>                                 | <p>Ford<br/>Case<br/>Massey Ferguson<br/>Tractors &amp; Industrial<br/><br/>JCB Lift truck</p> |

ALL LEECE-NEVILLE PART NUMBERS SHOWN ARE OE; FOR AFTERMARKET ORDERING ADD A "S" SUFFIX TO THE PART NUMBER (IE 66021601 IS OE & 66021601S IS AFTERMARKET)

## Alternator Application and Cross reference Guide

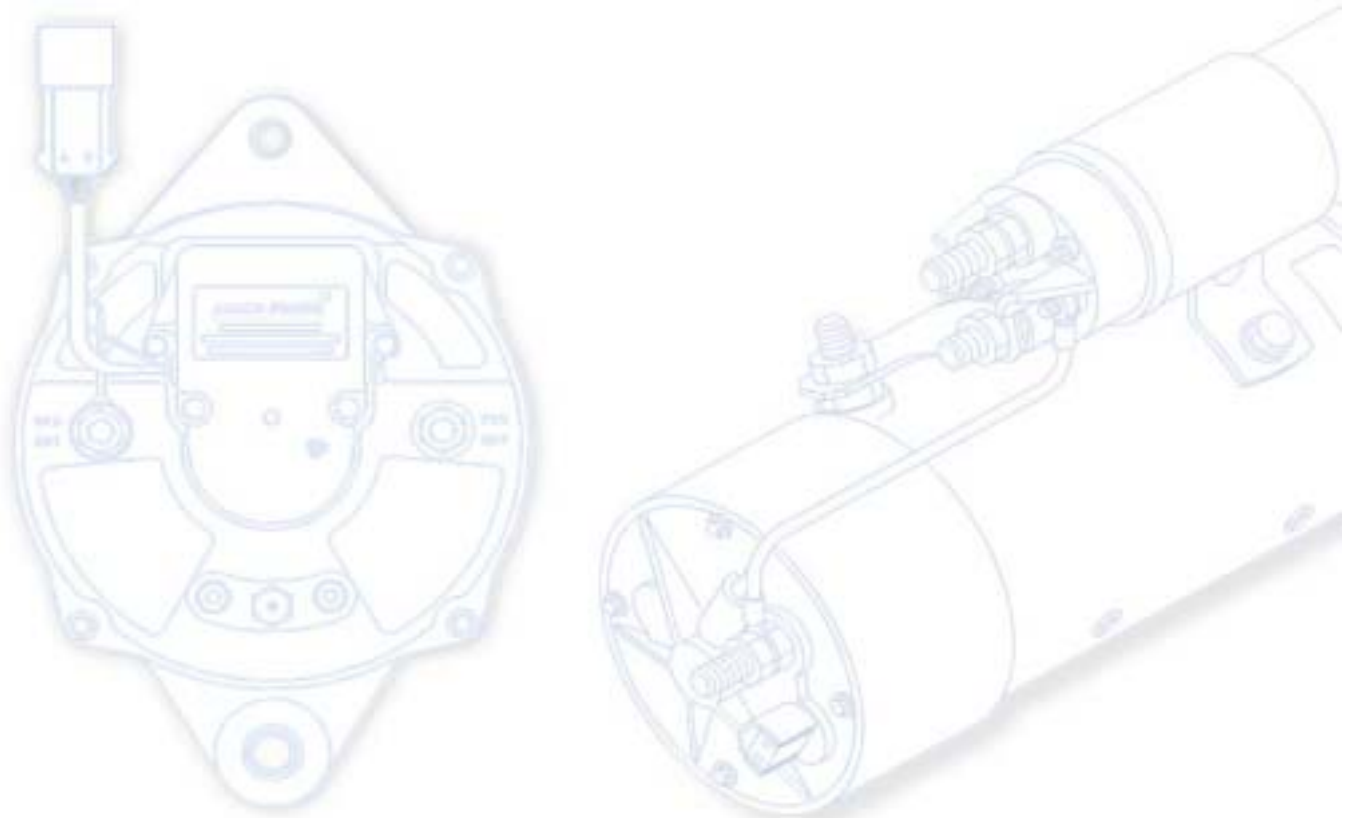
| Front & Side View  | Type & Part. N°  | Cross Ref.  | Application / Vehicle / Engine   |
|--|--|---|--|
|  | <p><b>AS123</b></p> <p><b>66021637</b></p> <p><b>12V 70A</b></p> <p>17mm Shaft</p> <p>Similar to<br/>66021137 but for<br/>shaft size</p> | <p>Lester<br/>12040<br/>12045<br/>12088</p> <p>Lucas<br/>24157<br/>24158</p> <p>Iskra<br/>IA 0067</p> <p>Marelli<br/>63324245</p> | <p>Ford<br/>Case<br/>Massey Ferguson<br/>Tractors<br/>&amp; Industrial</p> <p>JCB Lift truck</p> |

ALL LEECE-NEVILLE PART NUMBERS SHOWN ARE OE; FOR AFTERMARKET ORDERING ADD A "S" SUFFIX TO THE PART NUMBER (IE 66021601 IS OE & 66021601S IS AFTERMARKET)

# Technical Reference Information

---

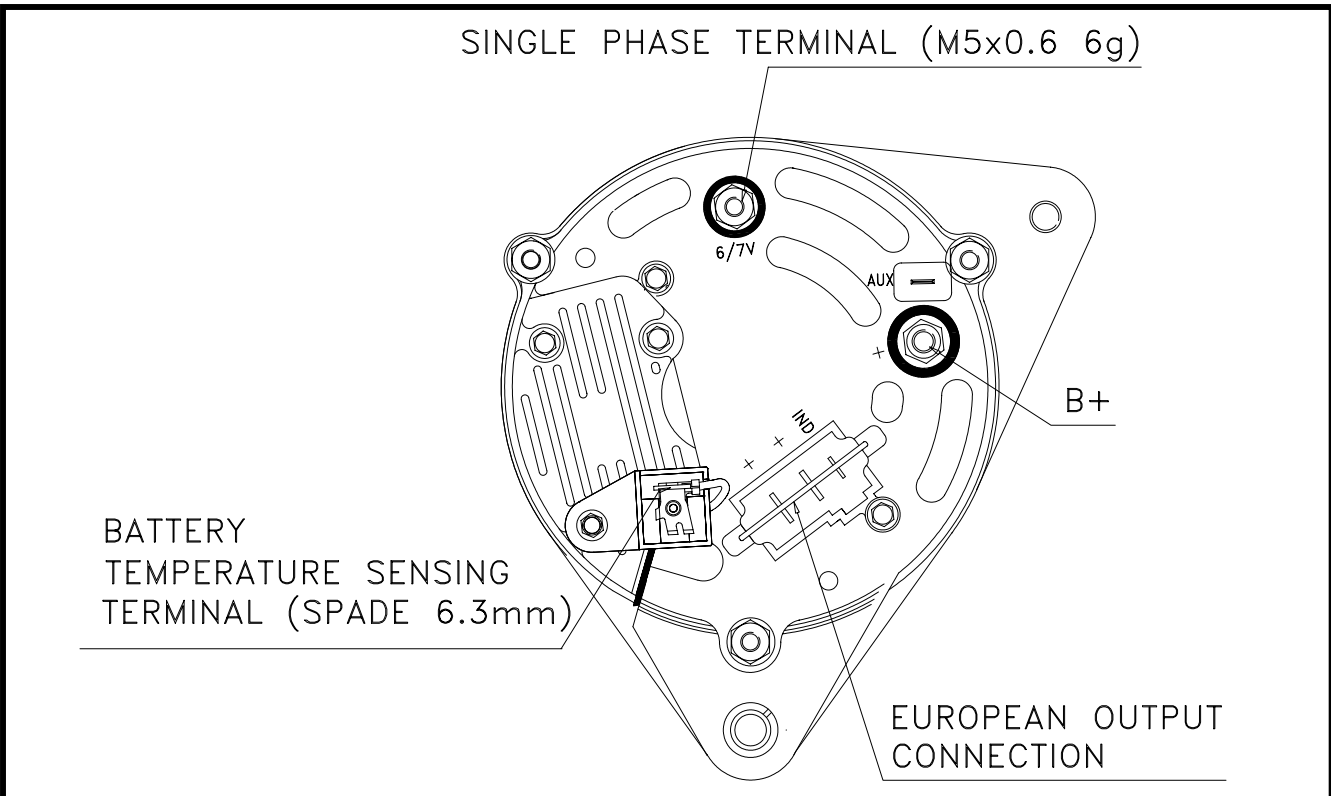
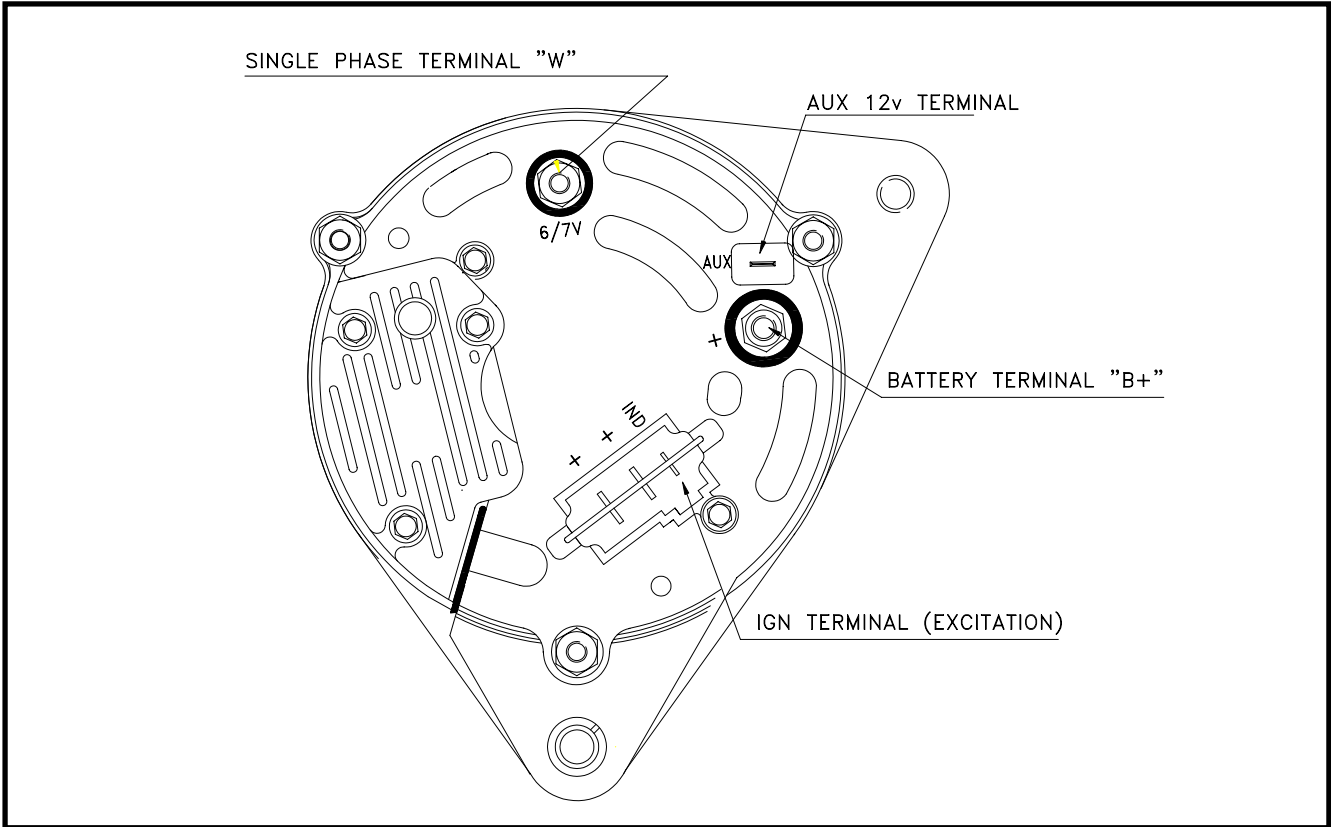
Revision H



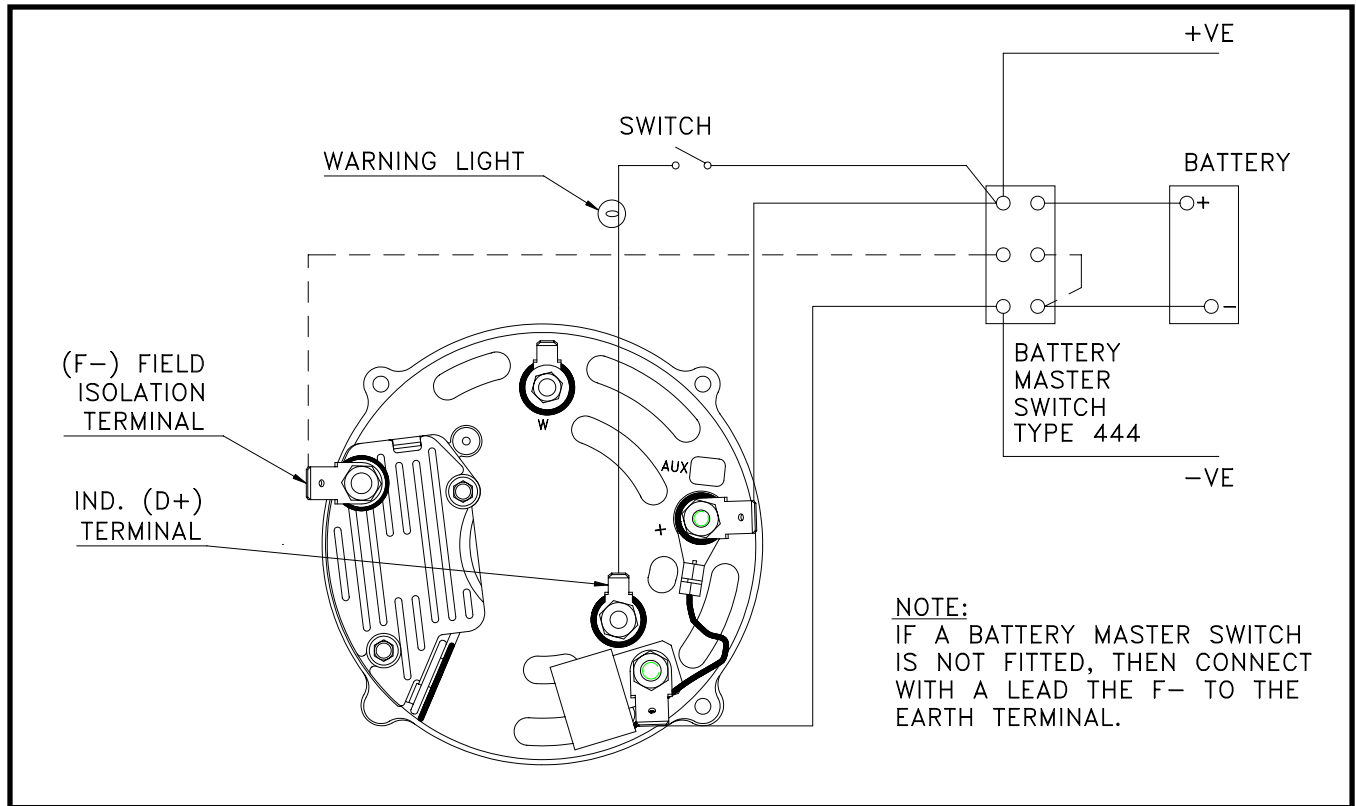
**PAGE INTENTIONALLY LEFT BLANK**



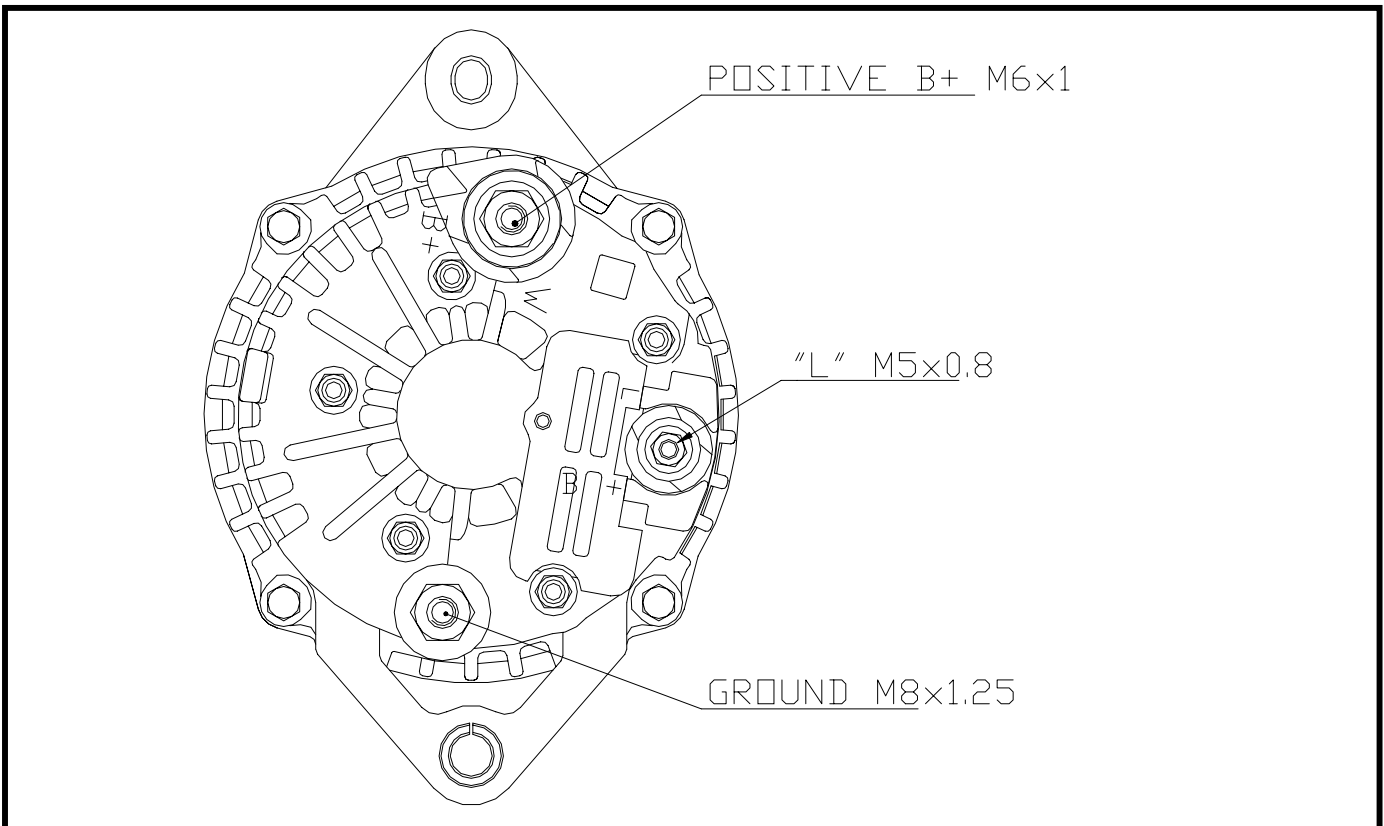
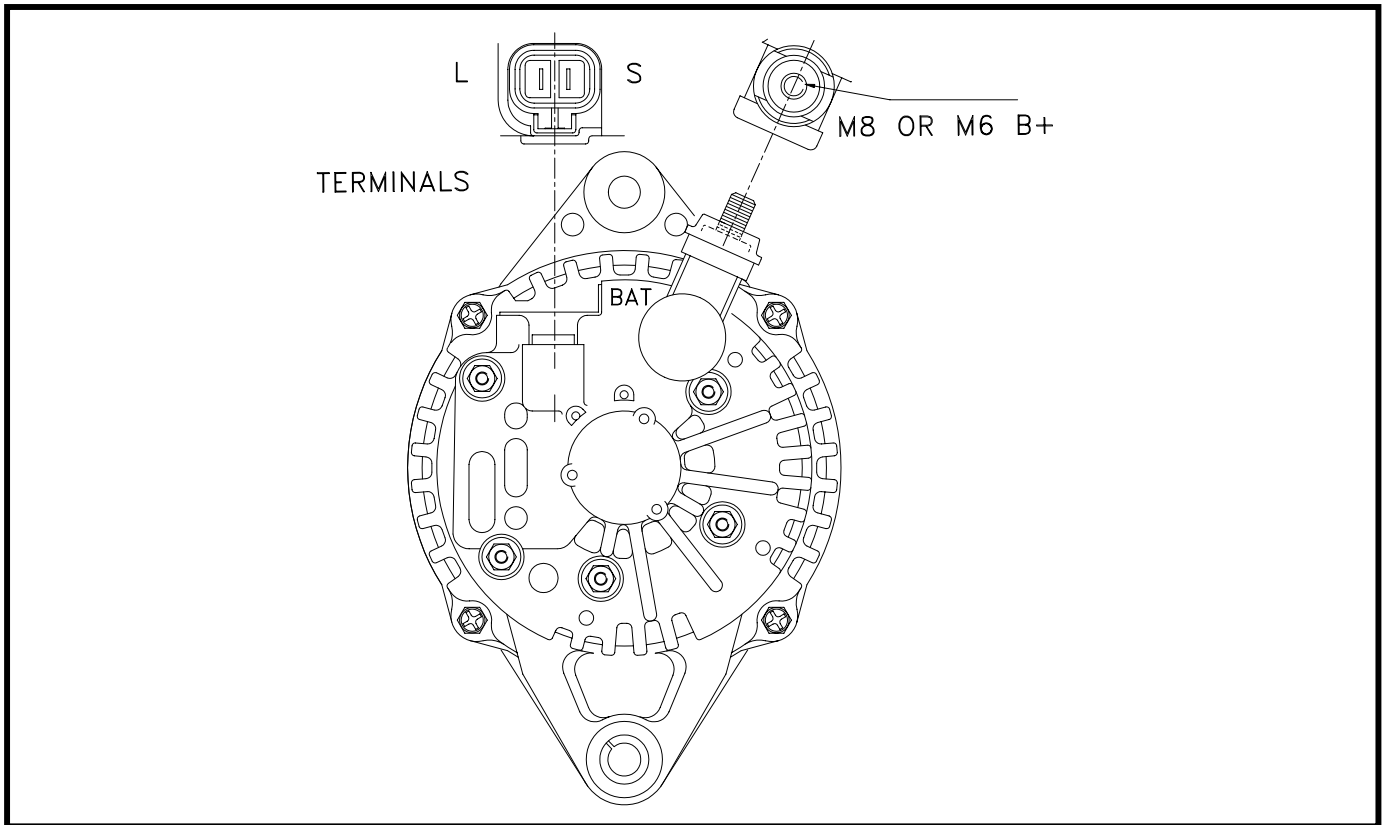
TYPICAL AS123 CONNECTION DIAGRAMS



**TYPICAL AS123 CONNECTION DIAGRAMS FOR  
INSULATED GROUND MODELS AND SEPARATE  
FIELD CONTROL**



### TYPICAL AVi128 CONNECTION DIAGRAMS



### Technical Reference Information TYPICAL AVi128 CONNECTION DIAGRAMS

